



The smart choice

Fortimo LED Disk modules

PHILIPS

sense and simplicity

Fortimo LED Disk modules – Easy to design in, compact and cost effective for a cozy atmosphere

Featuring the newest energy efficient LED technology, the Fortimo LED Disk modules are easy to design in, thanks to the integrated driver and built-in beam angle, and it combines a long lifetime with excellent warm light quality at very affordable cost. Their small form factor offers luminaire makers maximum freedom of design.

The Fortimo LED Disk modules are ideal for use in ceiling-mounted pendants and downlights (800 lm) or small spotlight (300 lm) luminaires in Hospitality and Home type of applications requiring high-quality light and a cozy ambiance.

Benefits

- Easy to design in, thanks to integrated driver and optics
- Compact form factor allows miniaturization
- Excellent light quality and performance
- High energy efficiency with a long lifetime

Product features

- Integrated driver and slim design
- High-quality light with colour temperatures of 2700 K (300 lm & 800 lm) and 4000 K (800 lm) with a colour rendering index of 80
- Built-in beam angle:
 - 800 lm: 85 degrees
 - 300 lm: 36 degrees
- Longer lifetime (25,000 hrs)

Applications

- 800 lm LED Disk: Ideal alternative for 60 W incandescent (pendant luminaires), 2 x 13 W CFL or 50 W LV halogen (downlights) in hospitality, healthcare, retail and cruise ship type of applications
- 300 lm LED Disk: Ideal alternative for 35 W LV or 50 W GU10 halogen (spot light) luminaires in Home, Hospitality and Retail type of applications



Home

Living, Bathroom, Home office



Hospitality

Lobbies, reception areas, restaurants, bars, corridors, service areas, lounges, waiting rooms



Retail

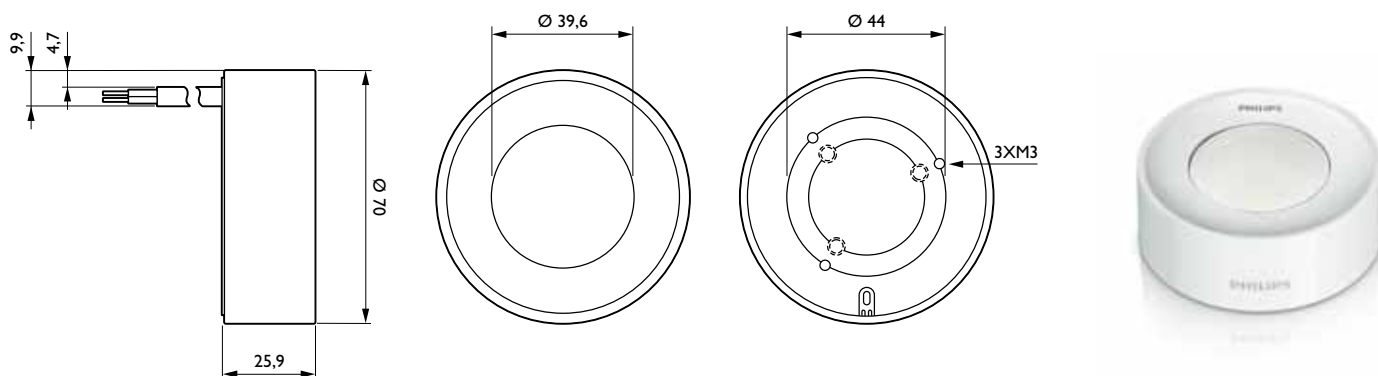
Accent and display lighting, compact spot- and downlight



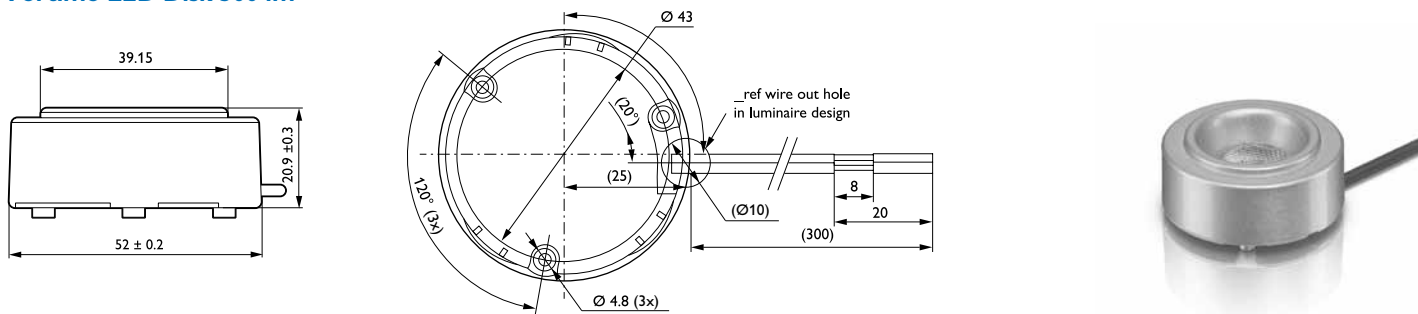


Dimensions (mm)

Fortimo LED Disk 800 lm



Fortimo LED Disk 300 lm



Specification

Type	Lumen output (typ.) (lm)	Colour temp. (typ.) (K)	Wattage (typ.) (W)	Beam angle (typ.) (°)	Efficacy module + driver (lm/W)	Colour consistency (SDCM)	Colour rendering index (Ra)	Input voltage (V)	Power factor (typ.) (Pf)	Total harmonic distortion (%)	TC Life (hours)
Fortimo LED Disk module 800/927 230V W*	820	2700	14.5	85	56	7	90	220-230	0.56	< 80	25,000 @ 70°
NEW Fortimo LED Disk module 800/827 230V G2	820	2700	14.5	85	56	5	80	220-230	0.90	< 80	25,000 @ 70°
Fortimo LED Disk module 800/840 230V	850	4000	15.2	85	56	5	80	220-230	0.90	< 80	25,000 @ 70°
Fortimo LED Disk module 300/827 230V	300	2700	7.7	36	38	7	80	220-230	0.52	< 80	20,000 @ 65°

* Phased out in Q2 2012

Ordering data

Type	12 NC code	MG3 code	EOC code	Units per package
Fortimo LED Disk module 800/927 230V W	9290 003 03501	743	871829111500700	24
NEW Fortimo LED Disk module 800/827 230V G2	9290 008 05008	743	871829121316100	24
Fortimo LED Disk module 800/840 230V	9290 006 64608	743	871829115277400	24
Fortimo LED Disk module 300/827 230V	9290 006 62803	744	871829116719800	88

For more information, please visit:
www.philips.com/OEM
www.philips.com/fortimo



©2012 Koninklijke Philips Electronics N.V.

All rights reserved. The information presented in this document does not form part of any quotation or contract, is believed to be accurate and reliable and may be changed without notice. No liability will be accepted by the publisher for any consequence of its use. Publication thereof does not convey nor imply any license under patent- or other industrial or intellectual property rights.

Date of release: April 2012 / 322263566671